

# DCA-P-300 Portable filter for soldering



## Description

DCA-P-300 is a compact filtration unit with low noise level, small size, designed for connection of one or two table top extraction arms or hoses.

For optimization of air flow, DCA-P-300 is equipped with soft regulation of fan speed.

## Areas of usage

Due to low noise level, small size and convenient connection to extraction arms, DCA-P-300 is ideal for equipping the soldering work places:

- various industrial work shops
- training classes
- laser marking and engraving
- laboratories
- renovation work shops

## Air cleaning in DCA-P-300

1. Coarse particles are separated with preliminary filter with F7 class of filtration;
2. Small particles are captured with HEPA filter on the basis of glass fiber with filtration efficiency as per H13;
3. Gaseous compounds and smells are being captured by activated carbon filter.

## Advantages

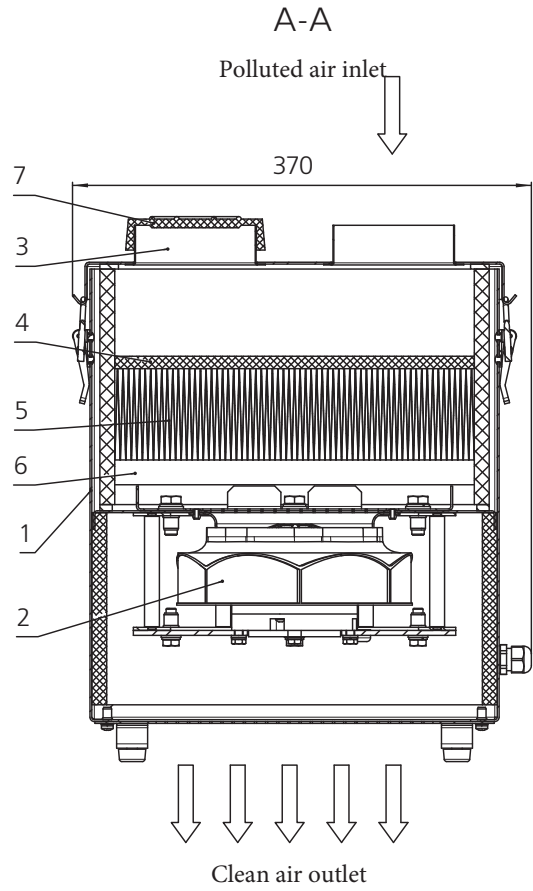
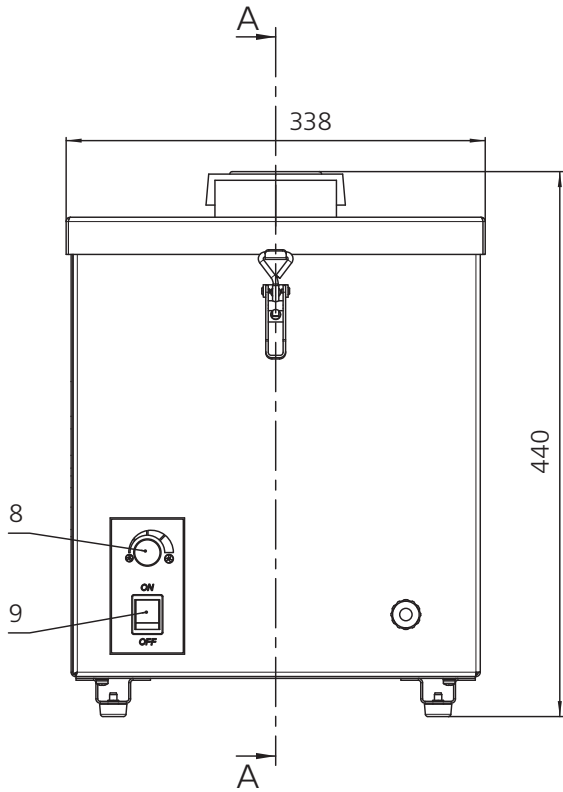
- Low noise level
- Low electricity consumption
- Very compact
- Modern motor has no limitation on duration of work in switched on regime
- Possibility of work with one or two extraction arms or hoses
- Fast replacement of spare filtration cartridges
- Demands no installation

## Technical parameters

Nominal capacity m <sup>3</sup> /h	Supply voltage	Power, kW	Dimensions mm	Connection duct diameter, mm	Noise level, dB	Weight, kg	Body material	Maximum deltaP at entrance, Pa
320	220 V, 50 Hz	0,17	335 x 370 x x 440	2 x 100	< 65	22	Powder coated steel	960
<b>Preliminary filter (first stage of filtration)</b>								
<b>TYPE</b>		<b>MATERIAL</b>		<b>FILTRATION CLASS</b>				
Preliminary filter		Glass fiber		F7				
<b>Combined filter (second stage of filtration)</b>								
<b>TYPE</b>		<b>MATERIAL</b>		<b>FILTRATION CLASS</b>				
HEPA filter		Glass fiber		H13				
<b>Combined filter (third stage of filtration)</b>								
<b>TYPE</b>				<b>MATERIAL</b>				
Chemical filter				Activated carbon				

**Filter components:**

- |                       |                  |
|-----------------------|------------------|
| 1. Body               | 6. Carbon filter |
| 2. Fan                | 7. Plug          |
| 3. Inlets             | 8. Resistor      |
| 4. Preliminary filter | 9. On\off switch |
| 5. Mechanical filter  |                  |



**Samles of using the DCA-P-300 portable filter**

